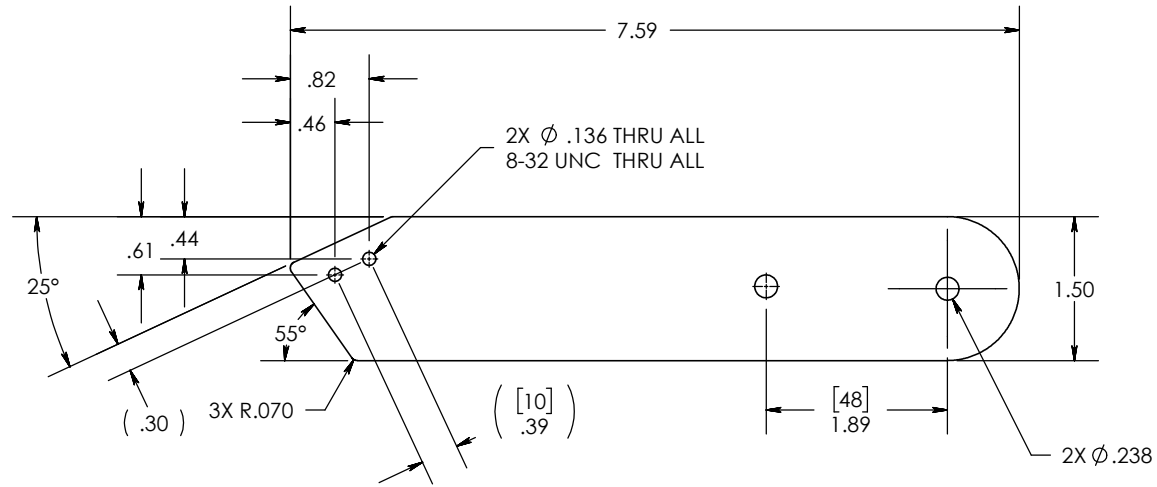


		REVISIONS			
ZONE	REV.	DESCRIPTION	DATE	APPROVED	



		DIMENSIONS ARE IN INCHES TOLERANCES: FRACTIONAL $\pm$ ANGULAR: MACH $\pm$ 0.5 TWO PLACE DECIMAL $\pm$ 0.01 THREE PLACE DECIMAL $\pm$ 0.005	NAME	DATE	
			DRAWN		
			CHECKED		
			ENG APPR.		
			MFG APPR.		
		MATERIAL	Q.A.		
			COMMENTS:		
NEXT ASSY	USED ON	FINISH			SIZE <b>A</b>
APPLICATION		DO NOT SCALE DRAWING			DWG. NO.
					REV.
					SCALE:1:2
					WEIGHT:
					SHEET 1 OF 1