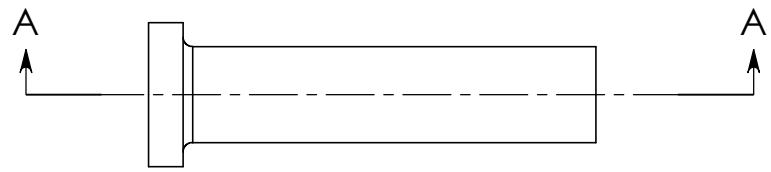
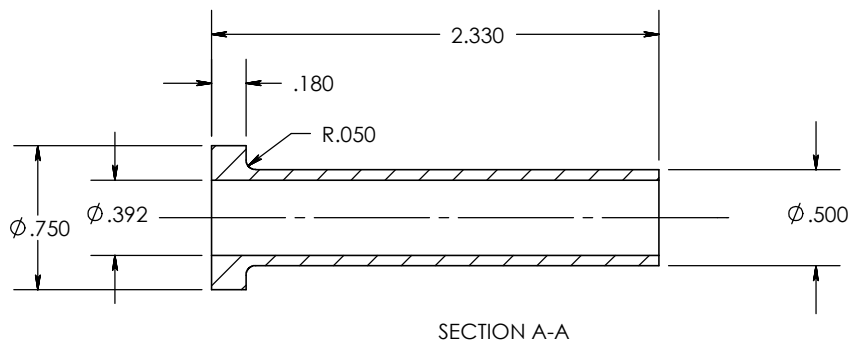


		REVISIONS			
ZONE	REV.	DESCRIPTION	DATE	APPROVED	



		DIMENSIONS ARE IN INCHES		NAME	DATE	TIRE PRESSURE GAUGE HOLDER
		TOLERANCES:		DRAWN		
		FRACTIONAL ±		CHECKED		
		ANGULAR: MACH ± 0.5		ENG APPR.		
		TWO PLACE DECIMAL ± 0.01		MFG APPR.		
		THREE PLACE DECIMAL ± 0.005		Q.A.		
		MATERIAL 303 SS		COMMENTS:		
NEXT ASSY	USED ON	FINISH POLISHED				SIZE A
APPLICATION		DO NOT SCALE DRAWING				DWG. NO.
						REV.
						SCALE:1:1
						WEIGHT:
						SHEET 1 OF 1