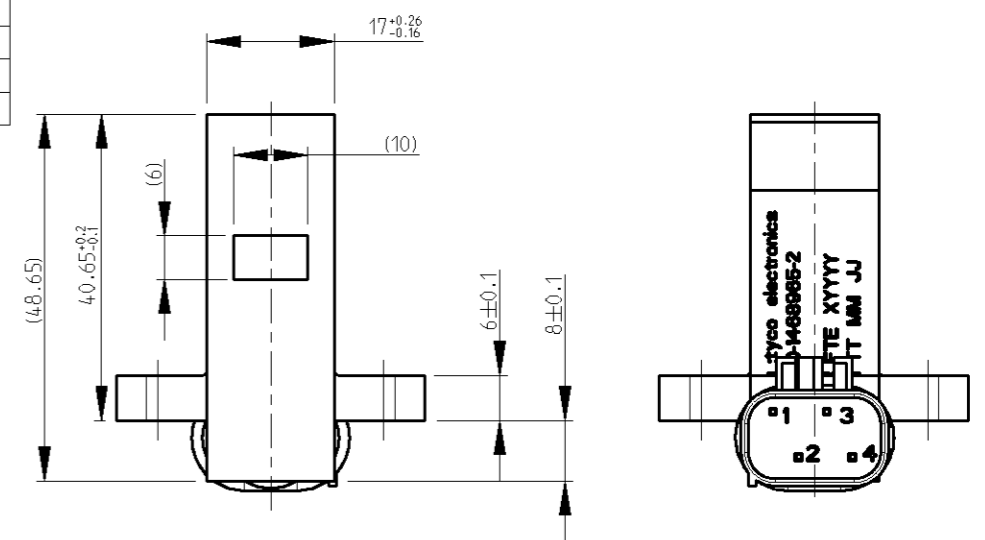
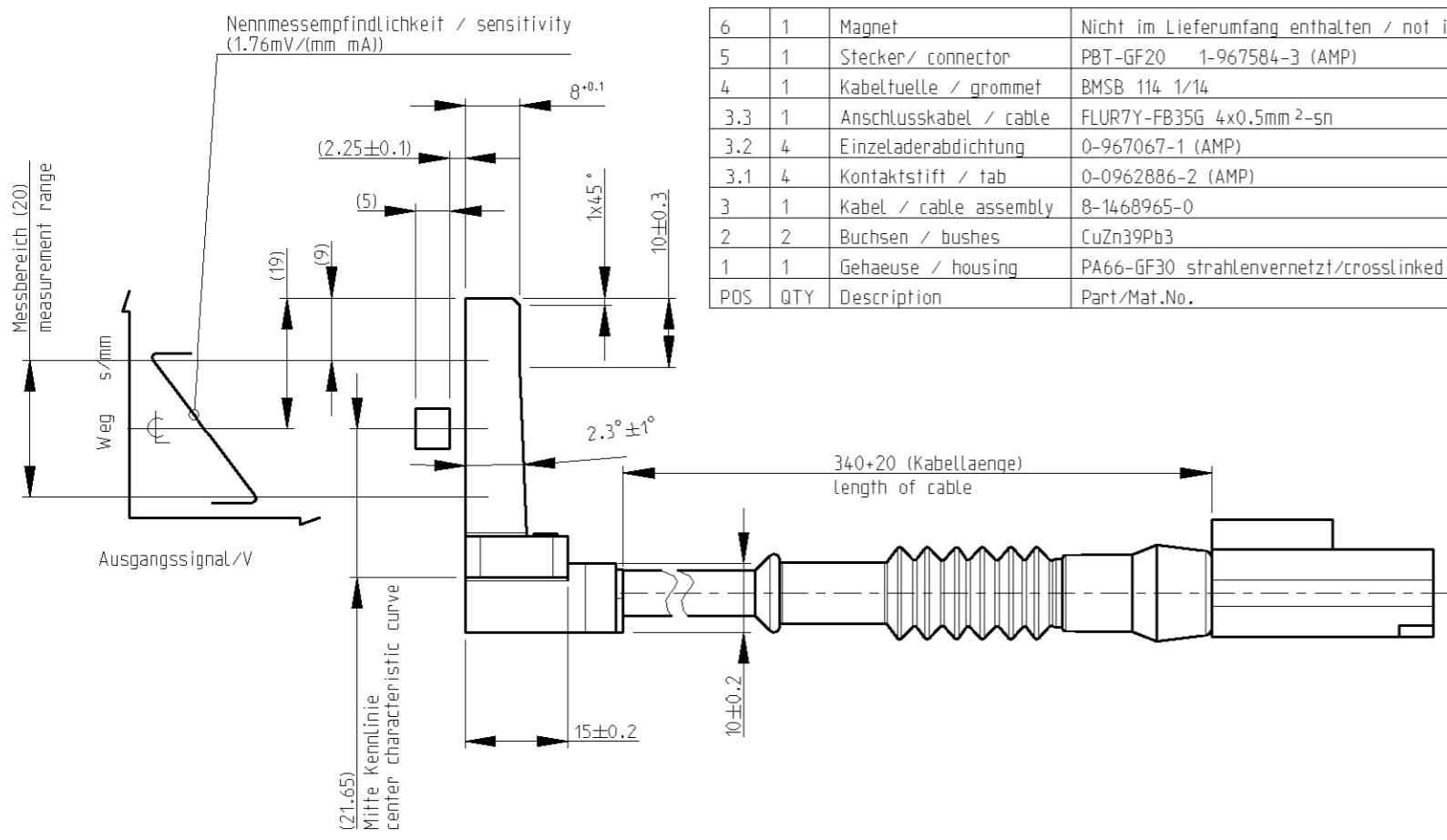


THIS DRAWING IS UNPUBLISHED. RELEASED FOR PUBLICATION 2003  
 © COPYRIGHT 2003 BY TYCO ELECTRONICS CORPORATION. ALL RIGHTS RESERVED.

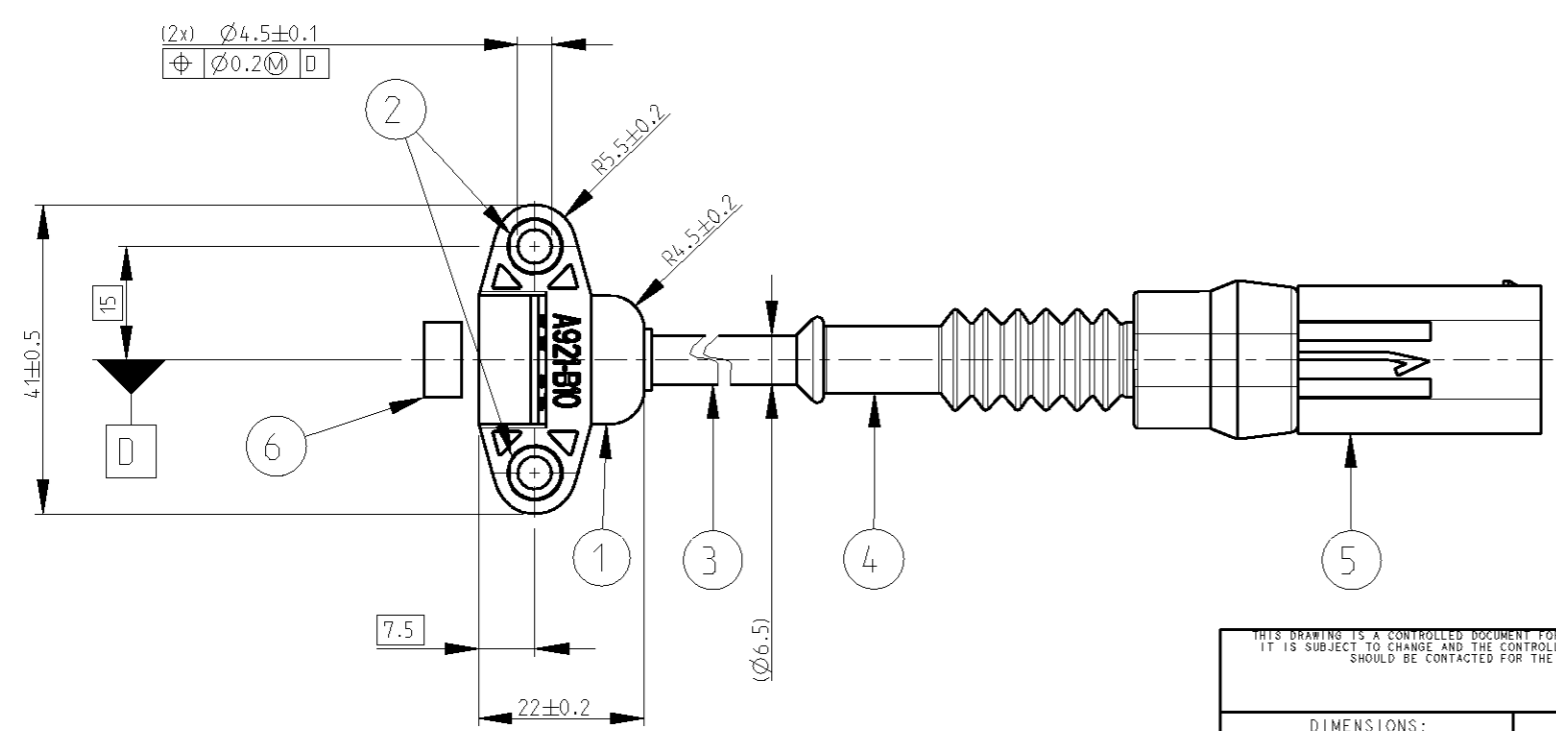
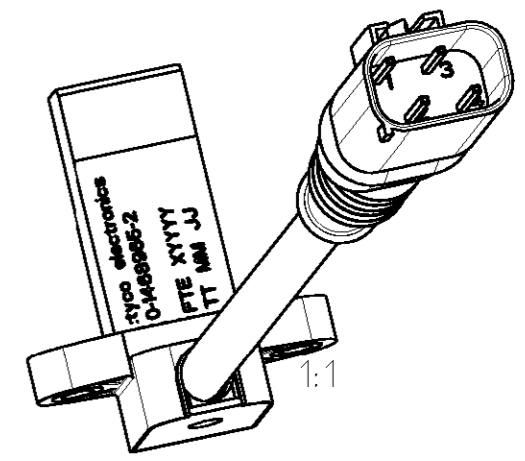
| LOC | DIST | REVISIONS   |  |           |      |    |
|-----|------|-------------|--|-----------|------|----|
| P   | LTR  | DESCRIPTION | DATE                                     | DWN       | APVD |    |
| A1  | -    | A3          | table with points 3.1 - 3.3 supplemented | 03NOV2003 | HR   | GR |

| POS | QTY | Description            | Part/Mat.No.  | Notes         |
|-----|-----|------------------------|---|---------------|
| 6   | 1   | Magnet                 | Nicht im Lieferumfang enthalten / not incl. in delivery | s.u.          |
| 5   | 1   | Stecker/ connector     | PBT-GF20 1-967584-3 (AMP)                               | s.u.          |
| 4   | 1   | Kabeltuelle / grommet  | BMSB 114 1/14   | s.u.          |
| 3.3 | 1   | Anschlusskabel / cable | FLUR7Y-FB35G 4x0.5mm <sup>2</sup> -sn                   |               |
| 3.2 | 4   | Einzeladerabdichtung   | 0-967067-1 (AMP)  | (Rubber plug) |
| 3.1 | 4   | Kontaktstift / tab     | 0-0962886-2 (AMP)                                       |               |
| 3   | 1   | Kabel / cable assembly | 8-1468965-0   | s.u.          |
| 2   | 2   | Buchsen / bushes       | CuZn39Pb3   | s.u.          |
| 1   | 1   | Gehaeuse / housing     | PA66-GF30 strahlenvernetzt/crosslinked by irradiation   | s.u.          |



|     |                       |
|-----|-----------------------|
| 4   | P2                    |
| 3   | P1                    |
| 2   | S1                    |
| 1   | S2                    |
| Pin | Anschluss/ connection |

- 1 Drehposition des Steckers beliebig  
any orientation of the connector possible
- 2 Beschriftung des Sensorgehauses  
labeling of the sensor housing  
Kenzeichnungsart: Tintenstrahldrucker  
kind of labeling: ink jet printer  
Kenzeichnungsfarbe: weiss  
colour of labeling: white  
Kenzeichnungstext: / text of labeling  
:tyco electronics  
0-1468965-2 (PN supplier)  
FTE DXXXX (PN customer of tyco)  
TTMMJJ (zB. 16-03-00 = 16.03.2000)
- 3 Kabeltuelle ohne BMW-Nummer  
cabel grommet without BMW number
- 4 Bei Montage, Transport und Lagerung folgende  
By montage, transport and stocking  
Biegeradien des Kabels nicht unterschreiten  
the bending radius must be greater then  
fuer einmaliges Biegen/bending once: R32.5  
(5x Kabeldurchmesser/diameter of cable)  
fuer mehrfaches Biegen/bending several times: R97.5  
(15x Kabeldurchmesser/diameter of cable)



|  |  |                               |                            |  |                    |
|--|--|-------------------------------|----------------------------|--|--------------------|
| THIS DRAWING IS A CONTROLLED DOCUMENT FOR TYCO ELECTRONICS CORPORATION<br>IT IS SUBJECT TO CHANGE AND THE CONTROLLING ENGINEERING ORGANIZATION<br>SHOULD BE CONTACTED FOR THE LATEST REVISION. |  | DWN<br>H.Krueger<br>22JUL2003 | <b>tyco</b><br>Electronics | tyco Electronics AMP GmbH<br>D - 67346 Speyer                                |                    |
| DIMENSIONS:<br>mm  |  | CHK<br>G.Riedl<br>09SEP2003   |                            | NAME<br>SENSOR WITH CABLE<br>SENSOR MIT KABELABGANG (P165)<br>(ASTON MARTIN) |                    |
| TOLERANCES UNLESS OTHERWISE SPECIFIED:<br>0 PLC ±<br>1 PLC ±<br>2 PLC ±<br>3 PLC ±<br>4 PLC ±<br>ANGLES ± 1°   |  | APVD<br>-                     | PRODUCT SPEC<br>108-18802  | SIZE<br>A3   | CAGE CODE<br>00779 |
| MATERIAL<br>see table  |  | FINISH<br>-                   | APPLICATION SPEC<br>-      | DRAWING NO<br>C=1468965-2  | RESTRICTED TO<br>- |
| CUSTOMER DRAWING   |  |                               | WEIGHT<br>48 gr            | SCALE<br>1:1   | SHEET<br>1 OF 1    |
|  |  |                               | REV<br>A3                  |  |                    |

**CONFIDENTIAL**